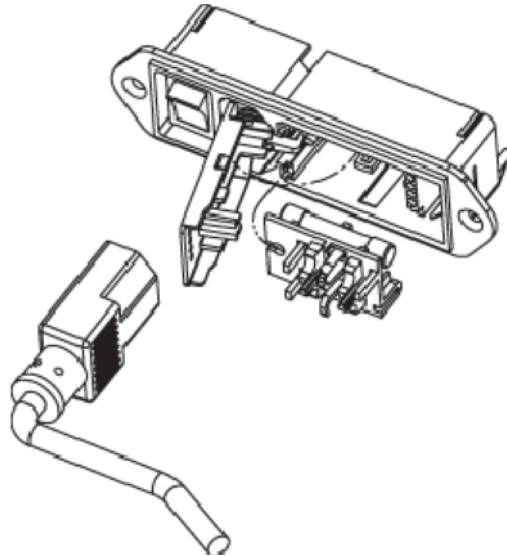


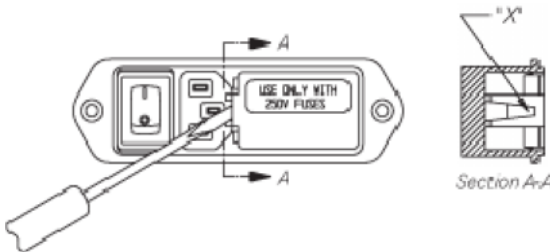
Fuse Installation Instructions



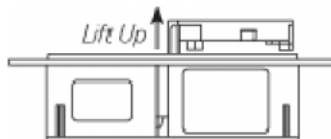
1. Remove power cord.
2. Pry door open at socket.
3. Lift and swing door into socket.
4. Lift fuse holder out of housing.
5. Install one (1) 3AG fuse. (5A, 250V, TIME DELAY)**
6. Replace fuse holder into housing.
7. Swing and snap door back in place.

Removing the Fuse Holder

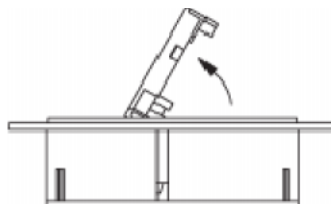
1. Insert a pocket screwdriver at point "X" as shown



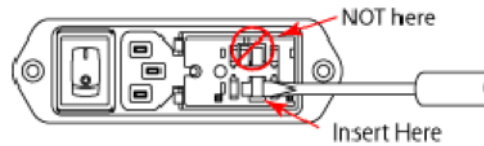
Gently lift UP until the entire door lifts up approximately 1/4" (minimum)



2. Once lifted, the door will pivot on it's hinges and expose the fuse holder



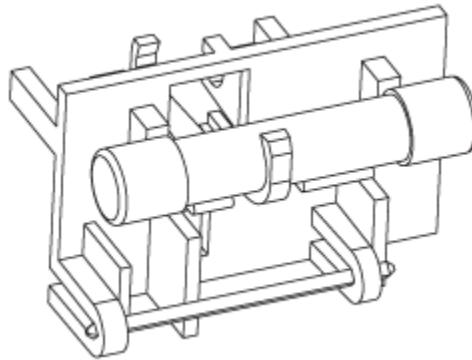
3. When the fuse holder is installed in the single fuse position, apply the screwdriver as shown and **gently** pry up. Insert screwdriver as shown - do not use fingers to pry unit loose.



When the fuse holder is installed in the dual fuse position, it will normally release as soon as the door is opened.

Fuse Changing

North American Fusing Arrangement *



*** Install fuse on one side only.**

** Fuse information:

Radio Shack: 210-2750 (4-Pack)

Cooper Bussman: MDL-5

Littelfuse: 0313005

Bel Fuse: 3SB 5



**MASTERTM
SPORTS**

Master Sports
6206 Discount Dr.
Fort Wayne, IN 46818
Phone: +1-260-471-0001
Fax: 260-490-7643
info@mastersports.com